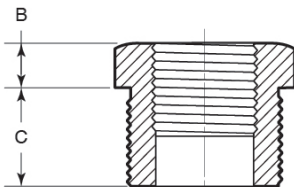
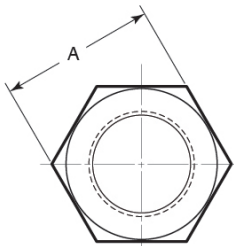
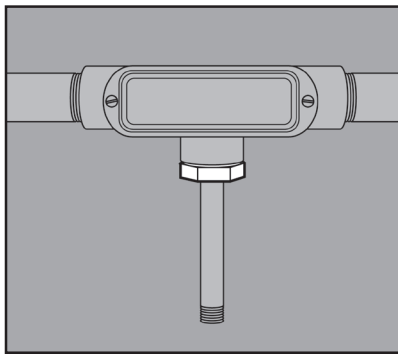


STAINLESS STEEL HEX HEAD REDUCING BUSHINGS



APPLICATION

- Provide a means of connecting a smaller size of conduit to a larger conduit fitting port
- Threaded male to female
- Manufactured in stainless steel to help prevent corrosion
- Can be installed using ordinary hand tools and require little maintenance or repair
- Provided in a bright, polished finish that does not require touch up or painting



PRODUCT DETAILS

Material:

316 SS

Standards:

ASTM A182

Country of Origin:

Import

Part Number	Size	Weight/ 100 (lbs.)	-----Dimension (in.)-----		
			A	B	C
7500RB-1/2 x 1/4	1/2 x 1/4 in.	8	1.01	0.25	0.57
7500RB-1/2 x 3/8	1/2 x 3/8 in.	7	1.02	0.24	0.60
7500RB-3/4 x 1/4	3/4 x 1/4 in.	16	1.18	0.26	0.71
7500RB-3/4 x 3/8	3/4 x 3/8 in.	15	1.18	0.25	0.70
7500RB-3/4 x 1/2	3/4 x 1/2 in.	12	1.19	0.26	0.70
7500RB-1 x 3/8	1 x 3/8 in.	22	1.39	0.30	0.79
7500RB-1 x 1/2	1 x 1/2 in.	20	1.38	0.30	0.77
7500RB-1 x 3/4	1 x 3/4 in.	16	1.38	0.29	0.79
7500RB-1-1/4 x 1/2	1-1/4 x 1/2 in.	41	1.75	0.34	0.86
7500RB-1-1/4 x 3/4	1-1/4 x 3/4 in.	38	1.75	0.34	0.87
7500RB-1-1/4 x 1	1-1/4 x 1 in.	31	1.77	0.33	0.87
7500RB-1-1/2 x 1/2	1-1/2 x 1/2 in.	70	2.04	0.49	1.00
7500RB-1-1/2 x 3/4	1-1/2 x 3/4 in.	67	2.03	0.50	1.00
7500RB-1-1/2 x 1	1-1/2 x 1 in.	61	2.04	0.49	1.00
7500RB-1-1/2 x 1-1/4	1-1/2 x 1-1/4 in.	47	2.04	0.49	1.00
7500RB-2 x 1/2	2 x 1/2 in.	92	2.49	0.45	0.98
7500RB-2 x 3/4	2 x 3/4 in.	84	2.49	0.45	0.99
7500RB-2 x 1	2 x 1 in.	79	2.48	0.45	0.99
7500RB-2 x 1-1/4	2 x 1-1/4 in.	79	2.49	0.45	0.99
7500RB-2 x 1-1/2	2 x 1-1/2 in.	69	2.49	0.45	0.99
7500RB-2-1/2 x 1/2	2-1/2 x 1/2 in.	170	3.18	0.55	1.21
7500RB-2-1/2 x 3/4	2-1/2 x 3/4 in.	163	3.18	0.56	1.21
7500RB-2-1/2 x 1	2-1/2 x 1 in.	172	3.16	0.56	1.21
7500RB-2-1/2 x 1-1/4	2-1/2 x 1-1/4 in.	155	3.24	0.49	1.18
7500RB-2-1/2 x 1-1/2	2-1/2 x 1-1/2 in.	145	3.18	0.55	1.21
7500RB-2-1/2 x 2	2-1/2 x 2 in.	117	3.15	0.55	1.22
7500RB-3 x 1	3 x 1 in.	279	3.73	0.55	1.33
7500RB-3 x 1-1/4	3 x 1-1/4 in.	264	3.70	0.57	1.30
7500RB-3 x 1-1/2	3 x 1-1/2 in.	247	3.74	0.56	1.33
7500RB-3 x 2	3 x 2 in.	219	3.70	0.56	1.28
7500RB-3 x 2-1/2	3 x 2-1/2 in.	183	3.73	0.55	1.28
7500RB-4 x 1-1/4	4 x 1-1/4 in.	415	4.70	0.49	1.57
7500RB-4 x 1-1/2	4 x 1-1/2 in.	423	4.70	0.49	1.61
7500RB-4 x 2	4 x 2 in.	441	4.70	0.48	1.62
7500RB-4 x 2-1/2	4 x 2-1/2 in.	428	4.71	0.49	1.60
7500RB-4 x 3	4 x 3 in.	353	4.70	0.49	1.59

