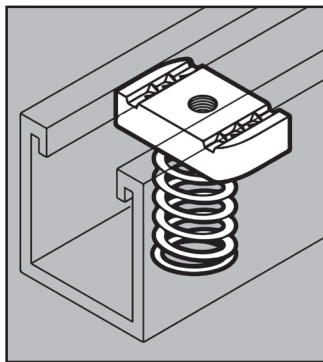
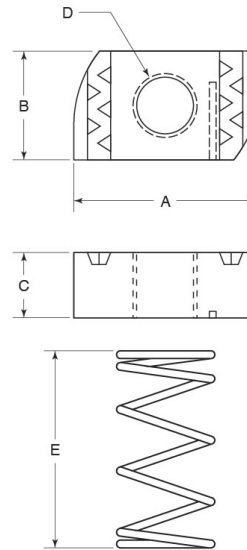


STAINLESS STEEL SPRING NUTS



APPLICATION

- Aid in securing and gripping components in a strut system
- Manufactured in stainless steel to help prevent corrosion
- Can be installed using ordinary hand tools and require little maintenance or repair
- Provided in a bright, polished finish that does not require touch up or painting



PRODUCT DETAILS

Material:

- Channel Nut: 316 SS
- Spring: 302 SS

Standards:

MPIF 35, ASTM A313

Country of Origin:

100% Made in USA

Part Number	Size	Weight/ 100 (lbs.)	Dimension (in.)				
			A	B	C	D	E
5911	¼ in.	10	1.39	0.82	0.38	¼ - 20 UNC	1.50
5912	⅝ in.	9	1.39	0.82	0.38	⅝ - 18 UNC	1.50
5913	⅜ in.	9	1.39	0.82	0.38	⅜ - 16 UNC	1.50
5914	½ in.	11	1.39	0.82	0.50	½ - 13 UNC	1.50
5915	⅝ in.	12	1.39	1.20	0.45	⅝ - 11 UNC	1.50
5916	¾ in.	13	1.39	1.20	0.45	¾ - 10 UNC	1.50

Channel Nut (without spring)

Part Number	Size	Weight/ 100 (lbs.)	Dimension (in.)			
			A	B	C	D
5901	¼ in.	10	1.39	0.82	0.38	¼ - 20 UNC
5902	⅝ in.	9	1.39	0.82	0.38	⅝ - 18 UNC
5903	⅜ in.	9	1.39	0.82	0.38	⅜ - 16 UNC
5904	½ in.	11	1.39	0.82	0.50	½ - 13 UNC
5905	⅝ in.	12	1.39	1.20	0.45	⅝ - 11 UNC
5906	¾ in.	13	1.39	1.20	0.45	¾ - 10 UNC

