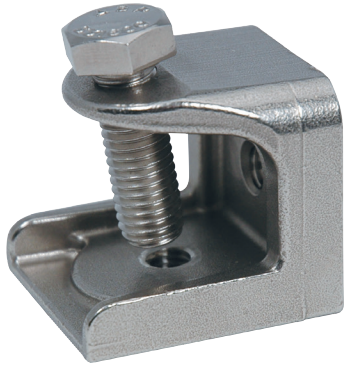
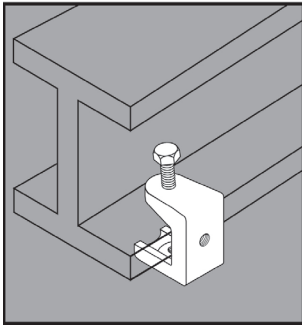


STAINLESS STEEL 2000 SERIES BEAM CLAMPS



APPLICATION

- Known as “electrician’s style” beam clamps
- Provide a means of attachment to a structural member without having to drill holes
- Attachment holes in back and bottom permit a wide variety of applications
- Manufactured in stainless steel to help prevent corrosion
- Can be installed using ordinary hand tools and require little maintenance or repair
- Provided in a bright, polished finish that does not require touch up or painting



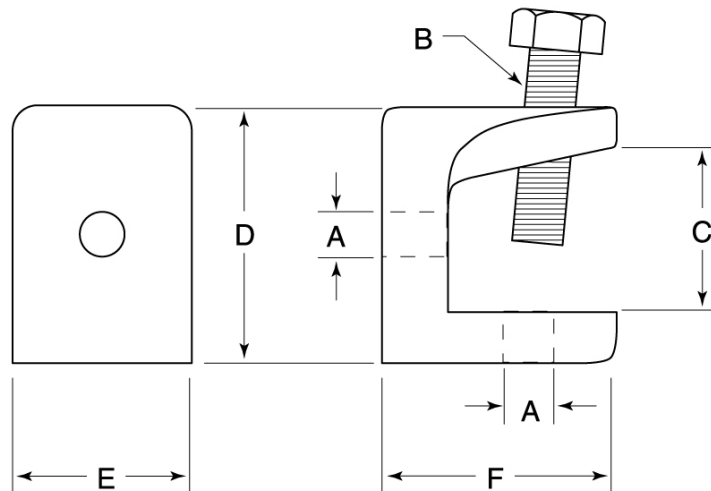
PRODUCT DETAILS

Material:

- Body: CF8M (316 SS)
- Bolt: 316 SS

Country of Origin:

Part Number 2001: 100% Made in USA
Part Numbers 2003, 2004: Product may contain imported component. Body 100% Made in USA; bolt may or may not be of U.S. origin.



Part Number	Size	Load Rating* (lbs.)	Weight/ 100 (lbs.)	Dimension (in.)					
				A	B	C	D	E	F
2001	¼ in.	150	25	¼ - 20 UNC	⁵ / ₁₆ - 18 UNC	0.91	1.44	1.00	1.31
2003	⅜ in.	750	87	⅜ - 16 UNC	½ - 13 UNC	1.16	1.90	1.88	2.00
2004	½ in.	1,100	148	½ - 13 UNC	⅝ - 11 UNC	1.13	2.19	2.13	2.25

* Based on upright installation, as shown from bottom attachment hole.

