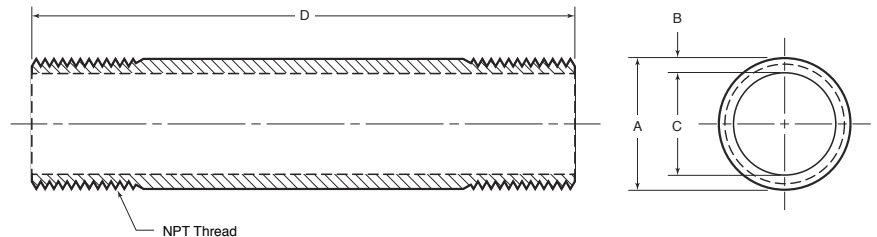
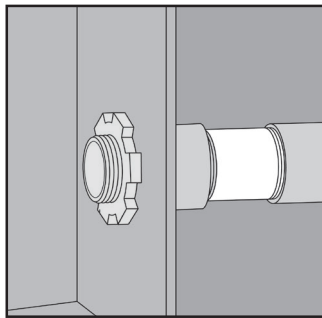


STAINLESS STEEL CONDUIT NIPPLES



APPLICATION

- Used to extend conduit systems
- Can be connected to boxes, enclosures, other lengths of conduit, etc.
- Threaded on both ends, NPT
- Offered in Type 316 SS and Type 304 SS
- Custom lengths can be made available upon request
- Manufactured in stainless steel to help prevent corrosion
- Can be installed using ordinary hand tools and require little maintenance or repair
- Provided in a bright, polished finish that does not require touch up or painting



PRODUCT DETAILS

Material:
316 SS and 304 SS

Standards:
ASTM A312

Country of Origin:
100% Made in USA

Part Number	Size	Outside Diameter "A" (in.)	Wall Thickness "B" (in.)	Inside Diameter "C" (in.)	Close	Length "D" (in.)											
						1.13	2"	2½"	3"	3-½"	4"	5"	6"	8"	10"	12"	
NIP50	½ in.	0.84	0.11	0.62	1.13	2"	2½"	3"	3-½"	4"	5"	6"	8"	10"	12"		
NIP75	¾ in.	1.05	0.11	0.82	1.38	2"	2½"	3"	3-½"	4"	5"	6"	8"	10"	12"		
NIP100	1 in.	1.32	0.13	1.05	1.50	2"	2½"	3"	3-½"	4"	5"	6"	8"	10"	12"		
NIP125	1-¼ in.	1.66	0.14	1.38	1.75	2"	2½"	3"	3-½"	4"	5"	6"	8"	10"	12"		
NIP150	1-½ in.	1.90	0.15	1.61	1.75	2"	2½"	3"	3-½"	4"	5"	6"	8"	10"	12"		
NIP200	2 in.	2.38	0.15	2.07	2.00	*	2½"	3"	3-½"	4"	5"	6"	8"	10"	12"		

*2" x close nipples are 2" long.

Format of full part number is part number x length. For example: NIP75x2.

Type 316 SS part numbers listed above; Type 304 SS products are denoted by adding "-304SS." For example: NIP75x2-304SS



© 2018 GIBSON STAINLESS & SPECIALTY, INC. - REV 6/2019

PO BOX 847, GREENSBURG, PA 15601
PHONE: 1-800-945-4316 • FAX: 724-838-1544

WEB: GIBSONSTAINLESS.COM