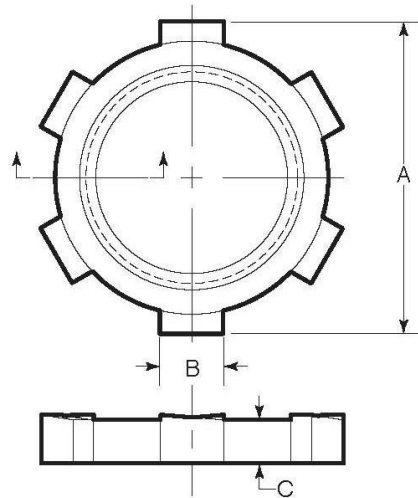
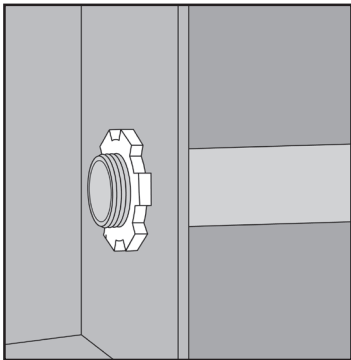


# STAINLESS STEEL LOCKNUTS

## APPLICATION



- Used to connect and secure threaded rigid conduit to an enclosure or outlet box
- Manufactured in stainless steel to help prevent corrosion
- Can be installed using ordinary hand tools and require little maintenance or repair
- Provided in a bright, polished finish that does not require touch up or painting



## PRODUCT DETAILS

### Material:

- 1/2" – 1": 316 SS
- 1 1/4" – 4": CF8M (316 SS)

### Country of Origin:

100% Made in USA

### UL File Number:

DWTT.E482617  
(Standard 514B)

### Canada UL File Number:

DWTT7.E482617  
(Standard 514B)

Part Number	Size	Weight/ 100 (lbs.)	Dimension (in.)		
			A	B	C
8050	1/2 in.	2	1.31	0.25	0.21
8075	3/4 in.	4	1.53	0.31	0.21
8100	1 in.	6	1.83	0.38	0.22
8125	1-1/4 in.	10	2.25	0.38	0.26
8150	1-1/2 in.	14	2.56	0.44	0.27
8200	2 in.	19	3.06	0.60	0.28
8250	2-1/2 in.	24	3.60	0.60	0.30
8300	3 in.	41	4.31	0.69	0.37
8400	4 in.	60	5.38	0.75	0.44

