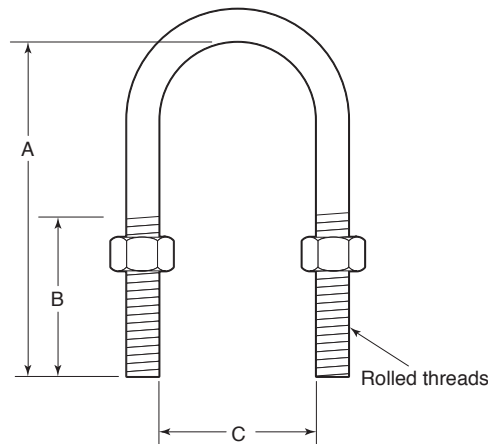
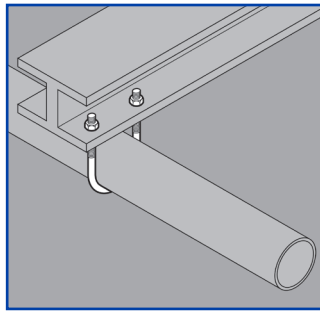


STAINLESS STEEL U-BOLTS (FIGURE 137 STYLE)



APPLICATION

- Used to run and support conduit or pipe in electrical systems
- Offered in two styles for both rigid conduit and mechanical applications (Figure 137 Style U-Bolts)
- Supplied complete with one Type 316 SS hex nut on each leg
- Manufactured in stainless steel to help prevent corrosion
- Can be installed using ordinary hand tools and require little maintenance or repair
- Provided in a bright, polished finish that does not require touch up or painting



PRODUCT DETAILS

Material:

- U-Bolt: 316 SS
- Hex Nuts: 316 SS

Standards:

ASTM A193 B8M Class I, ASTM F593

Country of Origin: Product may contain imported component. U-bolt manufactured in USA; hex nuts and raw material for u-bolt may or may not be of U.S. origin.

| Part Number | Conduit Size | Load Rating (lbs.) | Weight/ 100 (lbs.) | -----Dimension (in.)----- | | | Size & Pitch |
|-------------|--------------|--------------------|--------------------|---------------------------|------|------|--------------|
| | | | | A | B | C | |
| 0050-137 | ½ in. | 485 | 9 | 3.24 | 2.17 | 0.94 | ¼ - 20 UNC |
| 0075-137 | ¾ in. | 485 | 10 | 3.34 | 2.13 | 1.13 | ¼ - 20 UNC |
| 0100-137 | 1 in. | 485 | 10 | 3.47 | 2.10 | 1.38 | ¼ - 20 UNC |
| 0125-137 | 1-¼ in. | 1220 | 26 | 3.77 | 2.16 | 1.69 | ⅜ - 16 UNC |
| 0150-137 | 1-½ in. | 1220 | 28 | 4.05 | 2.56 | 2.00 | ⅜ - 16 UNC |
| 0200-137 | 2 in. | 1220 | 30 | 4.47 | 2.53 | 2.44 | ⅜ - 16 UNC |
| 0250-137 | 2-½ in. | 2260 | 66 | 5.30 | 3.12 | 2.94 | ½ - 13 UNC |
| 0300-137 | 3 in. | 2260 | 72 | 5.80 | 3.02 | 3.56 | ½ - 13 UNC |
| 0350-137 | 3-½ in. | 2260 | 77 | 6.33 | 3.02 | 4.06 | ½ - 13 UNC |
| 0400-137 | 4 in. | 2260 | 83 | 6.85 | 3.07 | 4.56 | ½ - 13 UNC |

