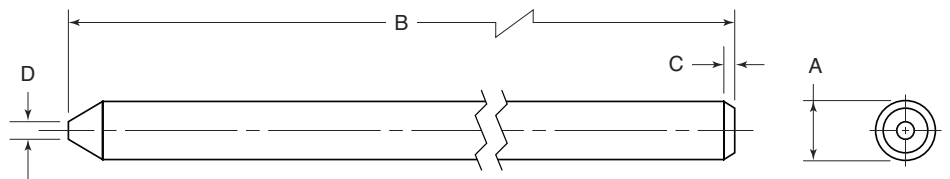
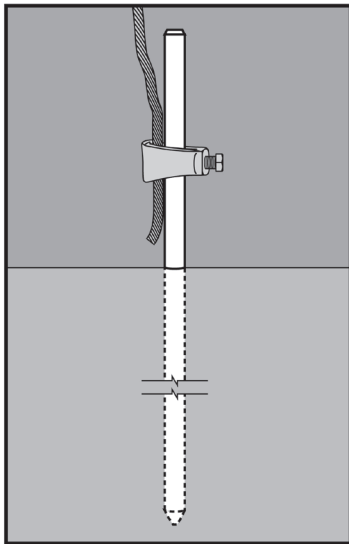


# STAINLESS STEEL GROUNDING RODS



## APPLICATION

- Provide a means of conducting current from a ground wire into the ground
- Offered in Type 316 SS and Type 304 SS
- Offered in 8 and 10 foot lengths
- Manufactured in stainless steel to help prevent corrosion
- Can be installed using ordinary hand tools and require little maintenance or repair
- Provided in a bright, polished finish that does not require touch up or painting



## PRODUCT DETAILS

**Material:**  
316 SS and 304 SS

**Standards:**  
ASTM A479

**Country of Origin:**  
100% Made in USA

**UL File Number:**  
(Type 304 SS 8 & 10 Footers):  
KDER.E340519

**Canada UL File Number:**  
(Type 304 SS 10 Footers):  
KDER7.340519

Part Number	Rod Size "A"	Length "B" (ft.)	"C" (in.)	"D" (in.)	Weight/ Each (lbs.)
GR588	5/8 in.	8	.13	.25	9
GR5810	5/8 in.	10	.13	.25	11
GR348	3/4 in.	8	.13	.25	12
GR3410	3/4 in.	10	.13	.25	15
GR18	1 in.	8	.13	.25	22
GR110	1 in.	10	.13	.25	27

Type 316 SS part numbers listed above; Type 304 SS products are denoted by adding "-304SS."  
For example: GR588-304SS.



© 2018 GIBSON STAINLESS & SPECIALTY, INC. - REV 3/2018

PO BOX 847, GREENSBURG, PA 15601  
PHONE: 1-800-945-4316 • FAX: 724-838-1544

WEB: GIBSONSTAINLESS.COM