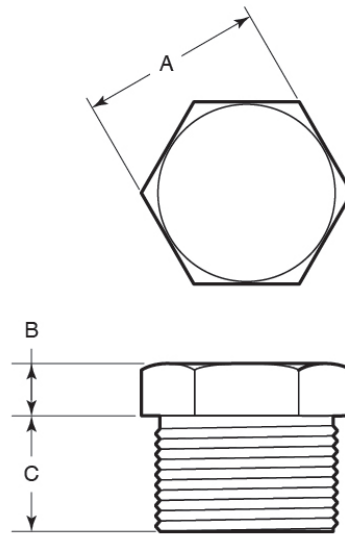
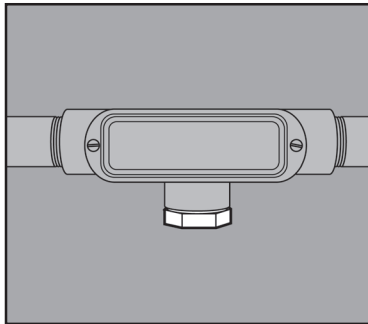


STAINLESS STEEL HEX HEAD PLUGS



APPLICATION

- Provide a means of closing off conduit fitting ports
- Manufactured in stainless steel to help prevent corrosion
- Can be installed using ordinary hand tools and require little maintenance or repair
- Provided in a bright, polished finish that does not require touch up or painting



PRODUCT DETAILS

Material:
316 SS

Standards:
ASTM A182

Country of Origin:
Import

Part Number	Size	Weight/ 100 (lbs.)	-----Dimension (in.)-----		
			A	B	C
7038P	3/8 in.	10	0.81	0.24	0.47
7050P	1/2 in.	12	0.94	0.34	0.65
7075P	3/4 in.	17	1.17	0.34	0.69
7100P	1 in.	26	1.48	0.34	0.81
7125P	1-1/4 in.	47	1.84	0.35	1.04
7150P	1-1/2 in.	65	2.05	0.46	1.03
7200P	2 in.	99	2.55	0.47	1.07
7250P	2-1/2 in.	155	3.18	0.56	1.19
7300P	3 in.	244	3.73	0.56	1.57
7400P	4 in.	430	4.70	0.57	1.60

