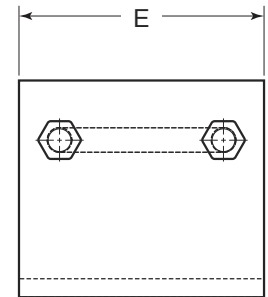
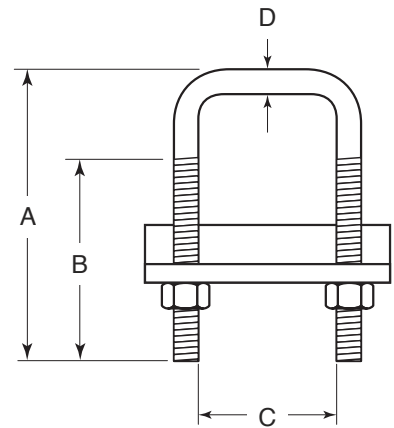
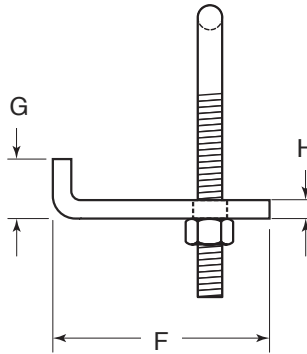
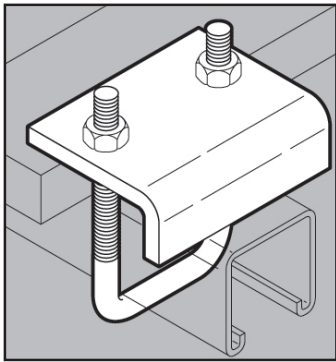


# STAINLESS STEEL RIGHT ANGLE BEAM CLAMPS



## APPLICATION

- Designed to help secure strut to a beam, flange or other structural member
- Offered for both 1-5/8" x 1-5/8" and 1-5/8" x 3-1/4" strut
- Manufactured in stainless steel to help prevent corrosion
- Can be installed using ordinary hand tools and require little maintenance or repair
- Provided in a bright, polished finish that does not require touch up or painting



## PRODUCT DETAILS

**Material:**  
316 SS

**Standards:**  
ASTM A240, ASTM A193 B8M  
Class I, ASTM F593

**Country of Origin:** Product may contain imported component. Saddle 100% Made in USA; hex nuts and raw material for u-bolt may or may not be of U.S. origin.

Part Number	Strut Size	Load Rating (lbs.)	Weight/ 100 (lbs.)	Dimension(in.)							
				A	B	C	D	E	F	G	H
5990	1-5/8" x 1-5/8"	1000	90	3.75	2.68	1.72	3/8"-16 UNC	3.13	2.78	0.75	0.25
5990L	1-5/8" x 3-1/4"	1000	97	5.40	2.50	1.72	3/8"-16 UNC	3.13	2.78	0.75	0.25



© 2018 GIBSON STAINLESS & SPECIALTY, INC. - REV 3/2018

PO BOX 847, GREENSBURG, PA 15601  
PHONE: 1-800-945-4316 • FAX: 724-838-1544  
WEB: GIBSONSTAINLESS.COM